

DATA SHEET

B2800B/3M/I50 TECH PRO

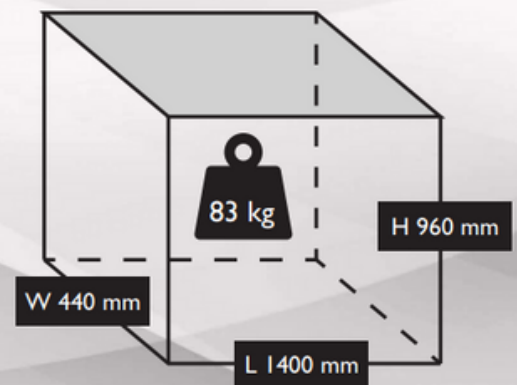
S-28HA504FPS135



UNIT DIMENSIONS



PACKAGE DIMENSIONS



TECHNICAL DATA

	Max. Pressure	10 Bar / 145 PSI
	Power	3.0 HP / 2.2 kW
	Capacity (displacement)	12.5 CFM / 355 L/min
	Voltage	230 V / 50 Hz
	Supply	13 amp plug
	FLC	13
	Pump	B28B PRO (28000IB)
	dB(A)	76
	Dimensions L x W x H (unit)	1390 x 430 x 950 mm

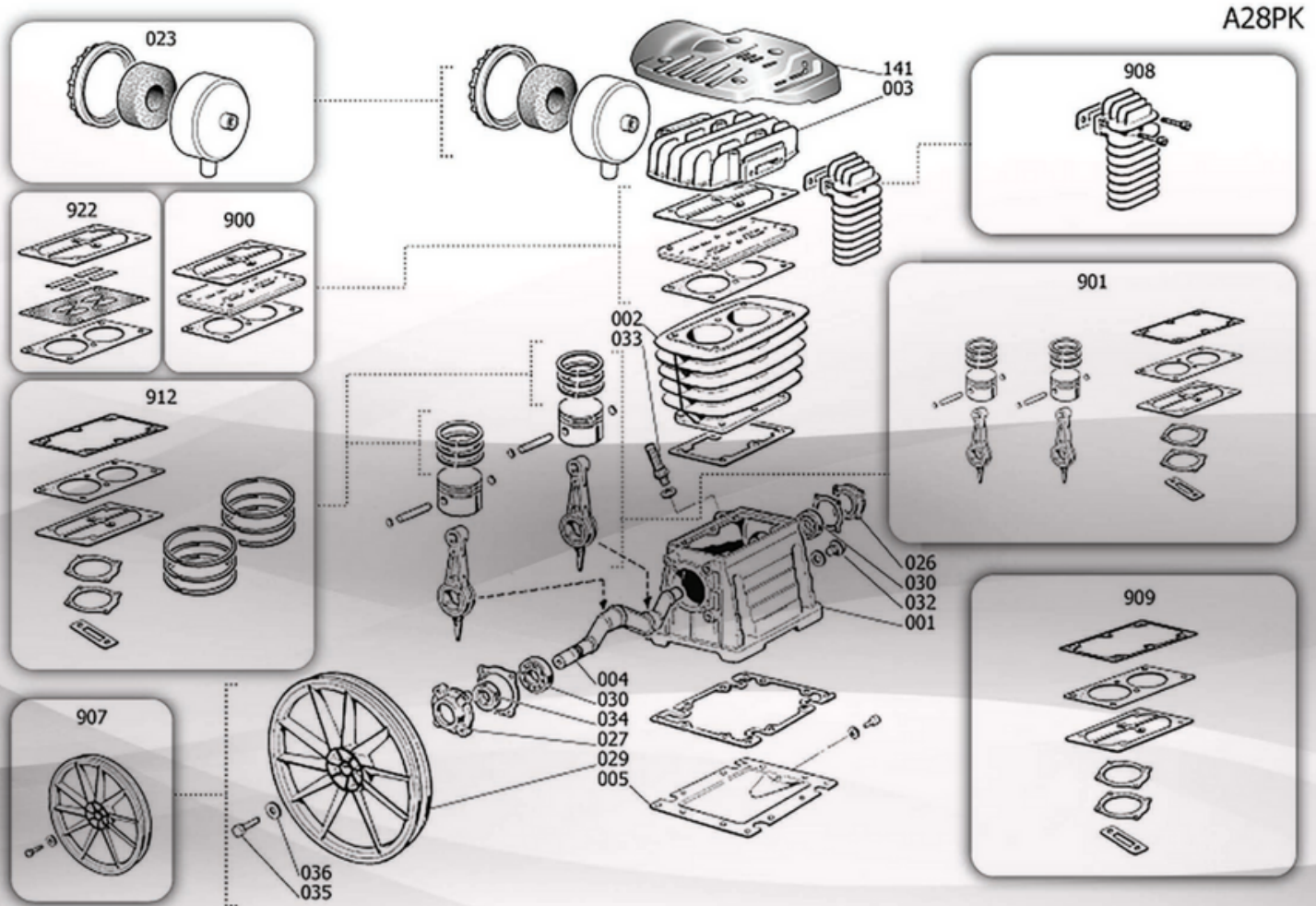
	Dimensions L x W x H (boxed)	1400 x 440 x 960 mm
	Weight	83 kgs
	Motor Speed	2850 RPM
	Oil Capacity	0.5 Ltr
	Receiver Size	150 Ltr
	Head Bolt Torque	27 Nm
	Cable Length	2 Mtr
	Pump Speed	1250 RPM
	Outlet Thread Size	Series 25 Coupling

DATA SHEET

B28B PRO PUMP

280001B

B2800B/3M/150 TECH PRO (S-28HA504FPS135)



A28PK

COMPONENTS (see drawing above)

Position	Part No.	Description
2	S-9428040	Cylinder
3	S-3860410	Head
23	S-9434M04	Air Filter Kit
900	S-9434A66	Valve Plate
901	S-9434B81	Piston & Con Rod Compl
912	S-9434C09	Piston Ring Kit

OTHER SERVICE PARTS

Part No.	Description
S-PK-B28.B38/PRO	Service Kit
S-9602024	NRV Pastel
S-9602018	NRV Spring
S-9048009	NRV
S-4100688	Pressure Switch
LUB-PIST-ILT	Lubricant
S-9612113	Run Capacitor (motor)
F-002100105	Start Capacitor (motor)
S-9075016	Belt